

CHT-PLUTO-C1230

Version: 1.1

Preliminary Datasheet

High Temperature 1200V/30A Asynchronous Buck or Boost Module

General description

CHT-PLUTO-C1230 is a high temperature 1200V/30A Silicon Carbide module including one MOSFET switch and one Schottky diode in a single hermetic package. It is suitable to implement an asynchronous buck converter or a boost converter.. This product is guaranteed for normal operation on the full range -55°C to +210°C (Tj). Each MOSFET or diode has a breakdown voltage in excess of 1200V and is capable of switching current up to 30A. The MOSFET have a on-resistance of 45mΩ at 25°C and 100mΩ at 210°C at VGS=20V. The MOSFET has an intrinsic body diode.

Benefits

- High power density converters (support of high-frequency switching and reduced cooling)
- Extended lifetime and high reliability
- Harsh environments and high temperature power converters
- Seamless driving with HADES® gate driver solutions

Applications

- DC motor drives and actuator control
- DC-DC converters

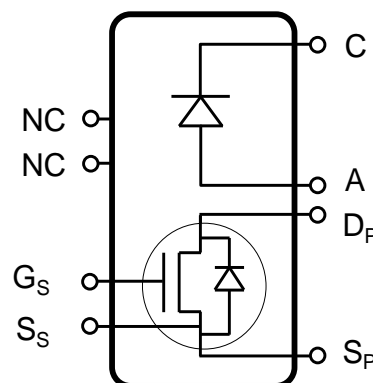
Features (MOSFET)

- Specified from -55 to +210°C (Tj)
- V_{DS} Max: 1200V
- Max Continuous Current:
 - 30A @ Tc≤160°C
 - 25A @ Tc=175°C
- Max Pulsed Current: 40A
- Typical MOSFET On-resistance:
 - R_{DSon}= 20 mΩ @ Tj=25°C
 - R_{DSon}= 60 mΩ @ Tj=210°C
- High Speed Switching
- Voltage control: V_{GS}=-5V/20V
- Low gate charge: : Q_{GS}: 44nC

Features (DIODE)

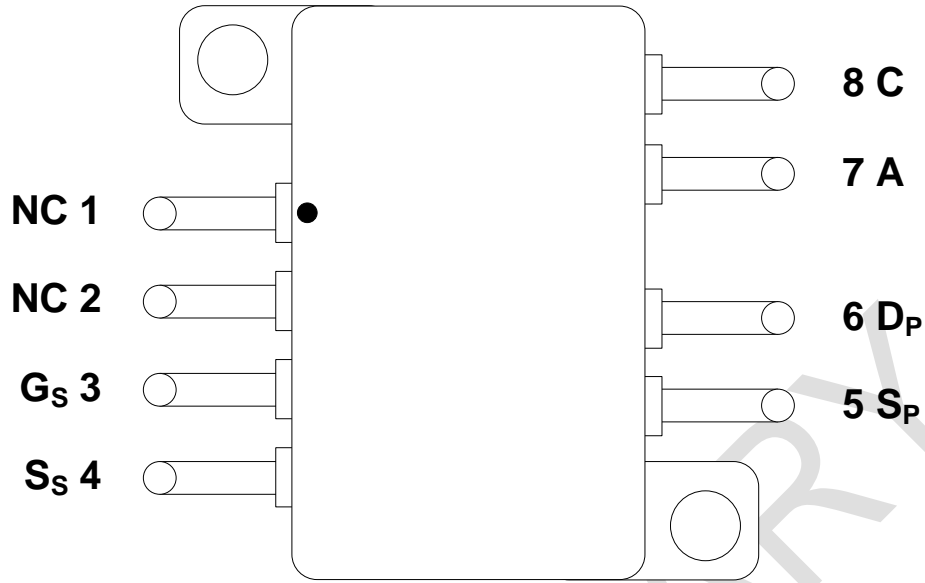
- Typ. Forward Voltage @30A : 1.35V
- Max Continuous Current: 30A
- Max Peak Rep Fwd Surge Current: 50A
- Hermetic package with isolated case

Functional Block Diagram



Note: the schematic shows the intrinsic body diode of the MOSFET

Package configuration and Pin Description



Pin ID	Pin Name	Pin Description	Pin Finish
1	NC	Not connected Pin	Nickel
2	NC	Not connected Pin	Nickel
3	G _S	Gate of MOSFET (Signal Pin)	Nickel
4	S _S	Source of MOSFET (Signal Pin)	Nickel
5	S _P	Source of MOSFET (Power Pin)	Nickel
6	D _P	Drain of MOSFET (Power Pin)	Gold
7	A	Anode of Diode (Power Pin)	Nickel
8	C	Cathode of Diode (Power Pin)	Gold
	Body	Package body (isolated from Pins)	Nickel

MOSFET

Absolute Maximum Ratings

Gate-to-Source voltage V_{GS}	-5V to 22V
Drain-to-Source voltage V_{DS}	1200V
Max DC Drain current I_{DS}	30A
Max Junction temperature T_{jmax}	210°C
Power dissipation at $T_c=175^\circ\text{C}$ (*)	66W

Operating Conditions

Gate-to-Source voltage V_{GS}	-5V to 20V
Drain-to-Source voltage V_{DS}	1200V
Max DC drain current I_{DS} ($T_c=175^\circ\text{C}$)	25A
Max DC drain current I_{DS} ($T_c\leq 160^\circ\text{C}$)	30A
Max pulsed drain current	40A
Junction temperature	-55°C to +210°C

ESD Rating

Human Body Model	>1kV
------------------	------

DIODE

Absolute Maximum Ratings

DC Blocking Voltage	1200V
Continuous Forward Current	30A
Max Junction temperature T_{jmax}	210°C
Power dissipation at $T_c=175^\circ\text{C}$ (*)	66W

Operating Conditions

DC Blocking Voltage	1200V
Continuous Forward Current	30A
Rep. Peak Fwd Surge Current	50A
Junction temperature	-55°C to +210°C

ESD Rating

Human Body Model	>2kV
------------------	------

Electrical characteristics MOSFET

Unless otherwise stated, $T_j = 25^\circ\text{C}$. **Bold** figures point out values valid over the whole temperature range ($T_j = -55^\circ\text{C}$ to $+210^\circ\text{C}$).

Parameter	Symbol	Condition	Min	Typ	Max	Unit
Threshold voltage	V_{TH}	$T_j=25^\circ\text{C}$; $I_D = 1\text{mA}$; $V_{DS} = 20\text{V}$		4.45		V
		$T_j=210^\circ\text{C}$; $I_D = 1\text{mA}$; $V_{DS} = 20\text{V}$		3.82		V
Drain cut-off current	I_{DSS}	$V_{GS}=0\text{V}$, $V_{DS}=1200\text{V}$, $T_j=25^\circ\text{C}$		80		nA
		$V_{GS}=0\text{V}$, $V_{DS}=1200\text{V}$, $T_j=210^\circ\text{C}$		800		μA
Gate leakage current	I_{GSS}	$V_{GS}=20\text{V}$, $V_{DS}=1200\text{V}$, $T_j=25^\circ\text{C}$		10		nA
		$V_{GS}=20\text{V}$, $V_{DS}=1200\text{V}$, $T_j=210^\circ\text{C}$		40		nA
Static drain-to-source resistance	R_{DSon}	$V_{GS}=20\text{V}$, $I_D=25\text{A}$, $T_j=25^\circ\text{C}$		20		$\text{m}\Omega$
		$V_{GS}=20\text{V}$, $I_D=25\text{A}$, $T_j=210^\circ\text{C}$		60		$\text{m}\Omega$
Breakdown drain-to-source voltage (DC characterization)	V_{BRDS}	$V_{GS}=0\text{V}$; $I_D = 1\text{mA}$	1200			V
Input capacitance	C_{ISS}	$V_{GS}=0\text{V}_{DC}$, $V_{DS}=600\text{V}$ $f = 1\text{MHz}$ $V_{AC} = 25\text{mV}$		2674		pF
Output capacitance (includes diode capacitance)	C_{OSS}			152		pF
Feedback capacitance	C_{RSS}			54		pF
Turn-on delay time	$T_{d(ON)}$	$V_{DD}=600\text{V}$; $V_{GS}= -4/20\text{V}$ $I_D = 30\text{A}$ $RG= 3.3\Omega$; $L = 856\mu\text{H}$		13		ns
Fall time	T_f			24		ns
Turn-off delay time	$T_{d(OFF)}$			40		ns
Rise time	T_r			38		ns
Turn-On Switching Loss	E_{on}			390		μJ
Turn-Off Switching Loss	E_{off}			430		μJ
Internal gate resistance	R_G		$V_{GS}=0\text{V}_{DC}$; $f = 1\text{MHz}$; $V_{AC} = 25\text{mV}$		2.5	
Gate to Source Charge	Q_{GS}	$T_j=25^\circ\text{C}$; $V_{DD}= 600\text{V}$; $I_D = 20\text{A}$; $V_{GS} = -4/20\text{V}$		44		nC
Gate to Drain Charge	Q_{GD}			82		nC
Total Gate Charge	Q_G			214		nC
Diode forward voltage	V_F	$T_j=25^\circ\text{C}$; $I_F=30\text{A}$		3.3		V
		$T_j=210^\circ\text{C}$; $I_F=30\text{A}$		3.1		V
Reverse recovery time	T_{rr}	$T_j=25^\circ\text{C}$; $V_{DS}=300\text{V}$; $V_{GS} = -5\text{V}$;		220		ns
Peak reverse recovery current	I_{pr}	$I_F=20\text{A}$; $di_F/dt = 100\text{A}/\mu\text{S}$		2.3		A

Electrical characteristics Schottky Diode

Unless otherwise stated, $T_j = 25^\circ\text{C}$. **Bold** figures point out values valid over the whole temperature range ($T_j = -55^\circ\text{C}$ to $+210^\circ\text{C}$).

Parameter	Symbol	Condition	Min	Typ	Max	Unit
DC Blocking Voltage	V_{DC}		1200			V
Forward Voltage	V_F	$T_j=25^\circ\text{C}$; $I_F=30\text{A}$		1.35		V
		$T_j=210^\circ\text{C}$; $I_F=30\text{A}$		1.8		V
Reverse Current	I_R	$T_j=25^\circ\text{C}$; $V_R=1200\text{A}$		80		μA
		$T_j=210^\circ\text{C}$; $V_R=1200\text{A}$		800		μA
Total Capacitive Charge	Q_C	$I=30\text{A}$, $V_R=600\text{V}$, $T_j = 25^\circ\text{C}$, $di/dt=500\text{A}/\mu\text{s}$		122		nC
Total Capacitance	C	$T_j=25^\circ\text{C}$; $V_R=0\text{V}$; $f = 1\text{MHz}$		TBD		pF
		$T_j=25^\circ\text{C}$; $V_R=200\text{V}$; $f = 1\text{MHz}$		TBD		pF
		$T_j=25^\circ\text{C}$; $V_R=400\text{V}$; $f = 1\text{MHz}$		TBD		pF

Thermal Characteristics

Parameter	Symbol	Condition	Min	Typ	Max	Unit
Junction-to-Case Thermal resistance MOSFET	$R_{\theta JC}$			0.7		$^\circ\text{C}/\text{W}$
Junction-to-Case Thermal resistance DIODE	$R_{\theta JC}$			0.7		$^\circ\text{C}/\text{W}$

Typical performances (MOSFET)

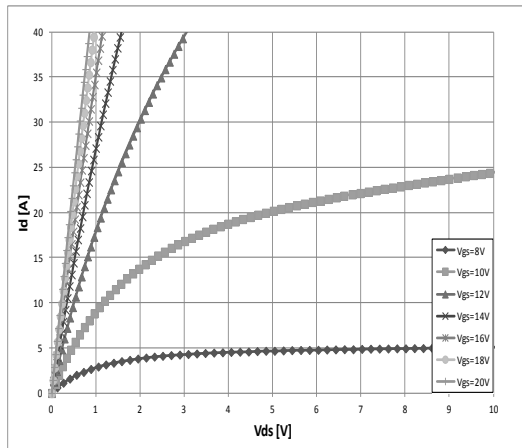


Figure 1: Drain current vs V_{DS} ($T_j= 25^\circ\text{C}$)

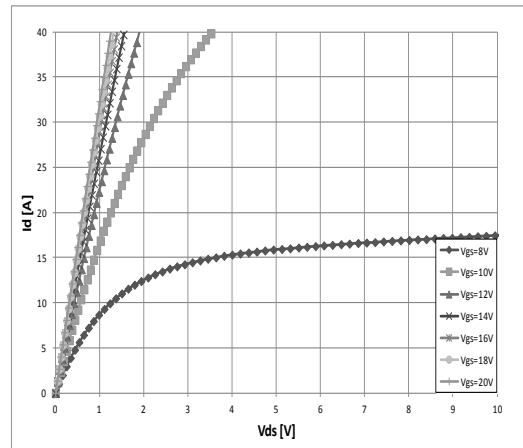


Figure 2: Drain current vs V_{DS} ($T_j= 125^\circ\text{C}$)

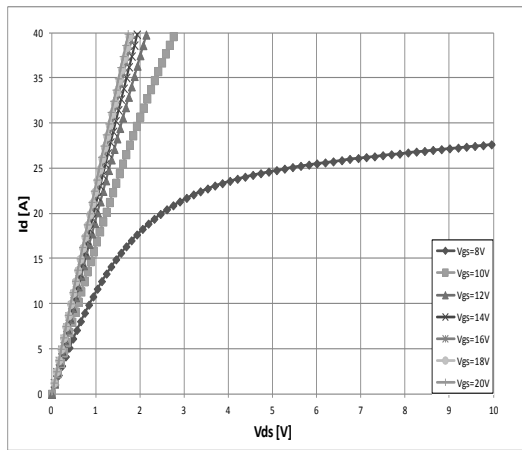


Figure 3: Drain current vs V_{DS} ($T_j= 175^\circ\text{C}$)

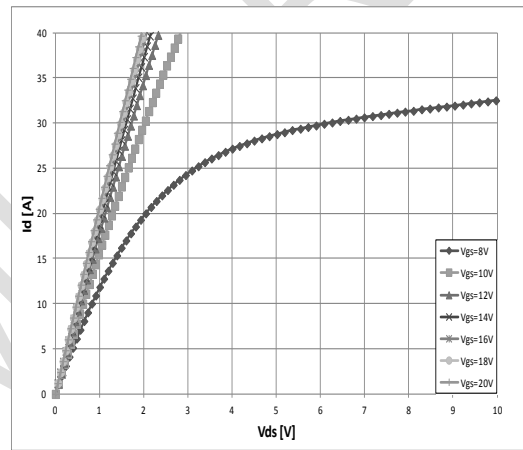


Figure 4: Drain current vs V_{DS} ($T_j= 210^\circ\text{C}$)

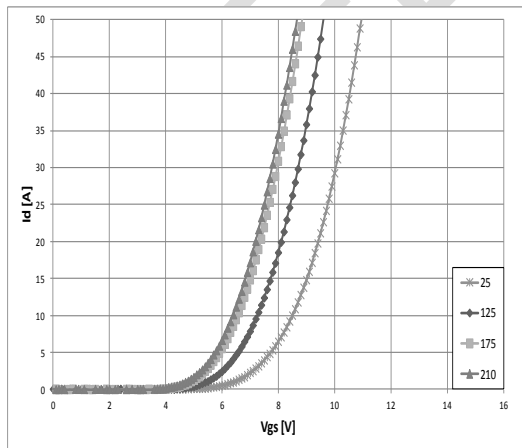


Figure 5: Drain current vs V_{GS} voltage

Typical performances (cnt'd)

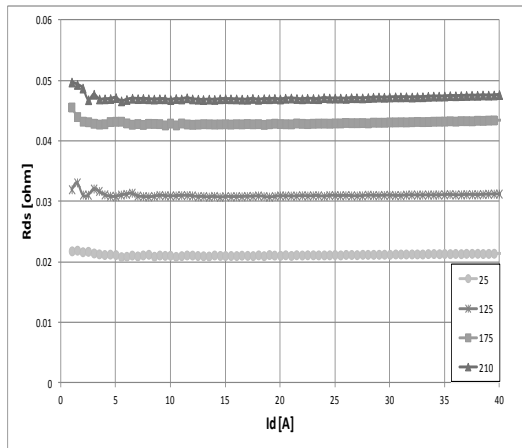


Figure 6: On-state drain source resistance vs. Drain current ($V_{GS} = 20V$)

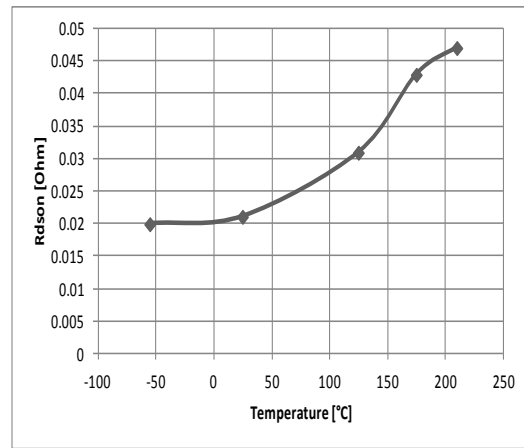


Figure 7: On-state drain source resistance vs. Temperature ($V_{GS} = 20V$; $I_{DS} = 25A$)

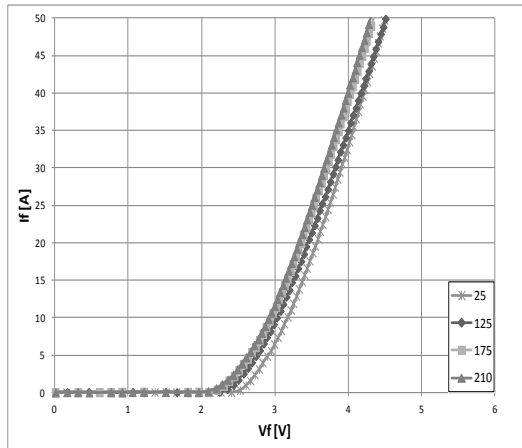


Figure 8: Diode I_{DS} vs V_{DS} (3^{rd} quadrant; $V_{GS} = -5V$)

Figure 9: Diode I_{DS} vs V_{DS} (3^{rd} quadrant; $V_{GS} = -5V$)

Typical performances (Diode)

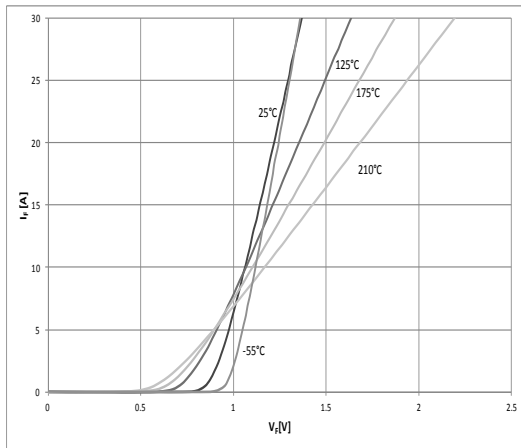


Figure 10: Diode I_F vs V_F

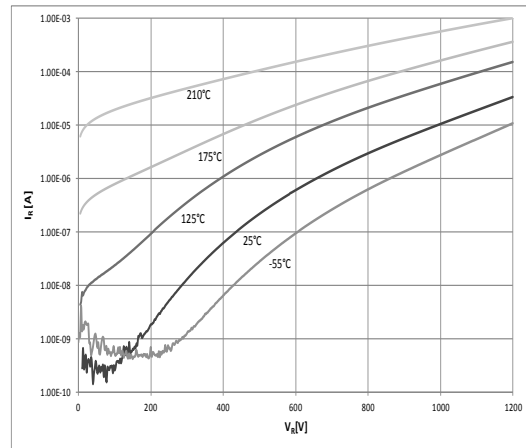
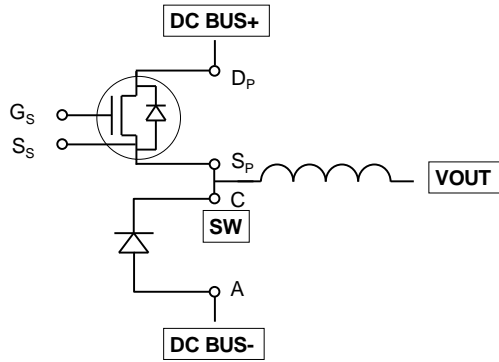


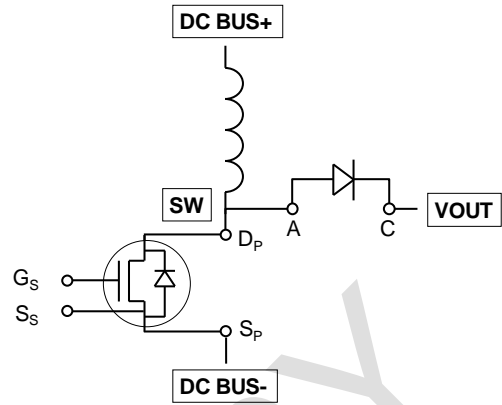
Figure 11: Diode I_R vs V_R

Typical applications

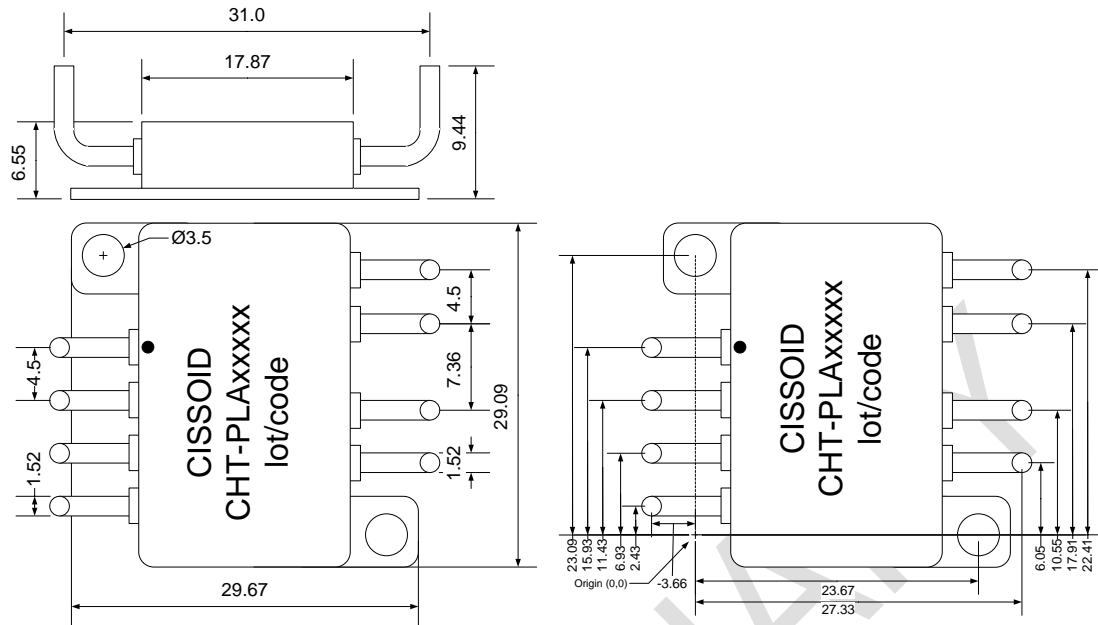
Buck Converter Application



Boost Converter Application



Package Dimensions



HM8A dimensions in mm (+/- 10%)

Ordering Information

Product Name	Ordering Reference	Package	Marking
CHT-PLUTO-C1230	CHT-PLA2228A-HM8A-T	HM8A	CHT-PLA2228A

Related products

Product Name	Function	Ordering Reference
CHT-PLUTO-B1230	Dual 1200V/30A SiC MOSFET Module	CHT-PLA2316A-HM8A-T
CHT-PLUTO-B1220	Dual 1200V/20A SiC MOSFET Module	CHT-PLA8294A-HM8A-T
CHT-PLUTO-C1220	1200V/20A SiC Async Buck or Boost Power Module	CHT-PLA3777A-HM8A-T

Contact & Ordering

CISSOID S.A.

Headquarters and contact EMEA:	CISSOID S.A. – Rue Francqui, 3 – 1435 Mont Saint Guibert - Belgium T : +32 10 48 92 10 - F: +32 10 88 98 75 Email: sales@cissoid.com
Sales Representatives:	Visit our website: http://www.cissoid.com

Disclaimer

Neither CISSOID, nor any of its directors, employees or affiliates make any representations or extend any warranties of any kind, either express or implied, including but not limited to warranties of merchantability, fitness for a particular purpose, and the absence of latent or other defects, whether or not discoverable. In no event shall CISSOID, its directors, employees and affiliates be liable for direct, indirect, special, incidental or consequential damages of any kind arising out of the use of its circuits and their documentation, even if they have been advised of the possibility of such a damage. The circuits are provided "as is". CISSOID has no obligation to provide maintenance, support, updates, or modifications.

a damage. The circuits are provided "as is". CISSOID has no obligation to provide maintenance, support, updates, or modifications.