

CHT-74132 DATASHEET

Version: 3.9
10-Dec-23
(Last Modification Date)

High-Temperature, Quad 2-Input NAND Schmitt Trigger

General Description

The CHT-74132 contains four independent 2-input NAND gates with Schmitt Trigger, performing the Boolean function :

$$Y = \overline{A \cdot B}$$

The gate switches at different points for positive and negative going signals. The difference between the positive voltage V_{T+} and the negative voltage V_{T-} is defined as the hysteresis voltage V_H

The CHT-74132 can operate with supply voltages from 3.3 to 5V ($\pm 10\%$).

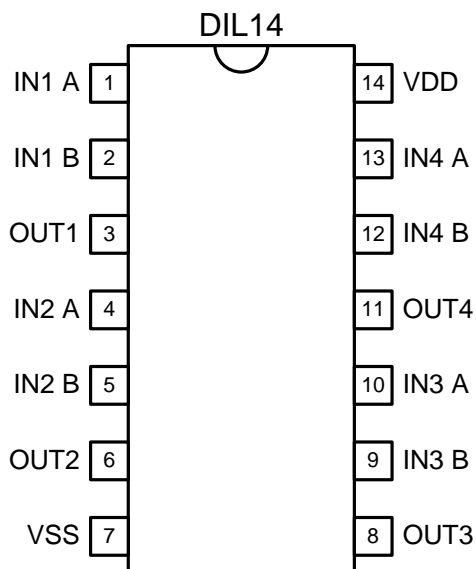
Features

- Qualified from -55 to +225°C (Tj)
- 3.3 to 5V ($\pm 10\%$) supply voltages
- Latchup-free at any supply and temperature condition
- Validated at 225°C for 30000 hours (CDIL14) and 20000 hours (CSOIC16) (and still on-going)
- Available in CDIL14 and CSOIC 16 hermetic standard package

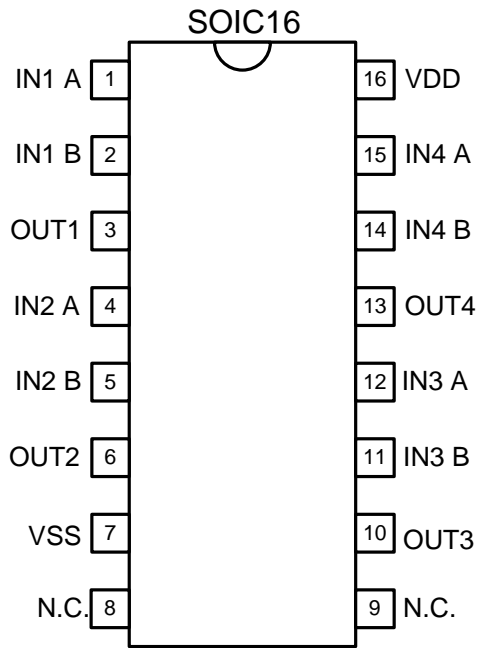
Applications

- High temperature logic
- Noise immunity function
- Sensor interface
- Signal processing/conditioning

Package and Pin Configuration



Pin	Symbol	Description
1	IN1 A	Input A of the NAND gate number 1
2	IN1 B	Input B of the NAND gate number 1
3	OUT1	Output of the NAND gate number 1
4	IN2 A	Input A of the NAND gate number 2
5	IN2 B	Input B of the NAND gate number 2
6	OUT2	Output of the NAND gate number 2
7	VSS	Circuit core ground terminal.
8	OUT3	Output of the NAND gate number 3
9	IN3 B	Input B of the NAND gate number 3
10	IN3 A	Input A of the NAND gate number 3
11	OUT4	Output of the NAND gate number 4
12	IN4 B	Input B of the NAND gate number 4
13	IN4 A	Input A of the NAND gate number 4
14	VDD	Circuit core power supply terminal.



Pin	Symbol	Description
1	IN1 A	Input A of the NAND gate number 1
2	IN1 B	Input B of the NAND gate number 1
3	OUT1	Output of the NAND gate number 1
4	IN2 A	Input A of the NAND gate number 2
5	IN2 B	Input B of the NAND gate number 2
6	OUT2	Output of the NAND gate number 2
7	VSS	Circuit core ground terminal.
8	NC	Not connected
9	NC	Not connected
10	OUT3	Output of the NAND gate number 3
11	IN3 B	Input B of the NAND gate number 3
12	IN3 A	Input A of the NAND gate number 3
13	OUT4	Output of the NAND gate number 4
14	IN4 B	Input B of the NAND gate number 4
15	IN4 A	Input A of the NAND gate number 4
16	VDD	Circuit core power supply terminal.

Function Table

INPUT		OUTPUT
A	B	Y
L	L	H
L	H	H
H	L	H
H	H	L

Function and Logical Diagrams

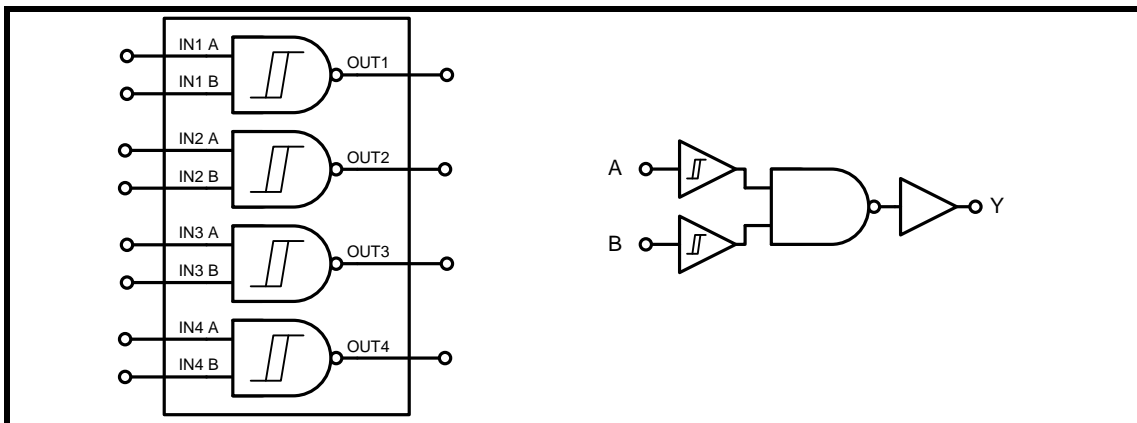


Figure 1. CHT-74132: simplified block diagram.

Absolute Maximum Ratings

Supply Voltage V_{DD} to GND -0.5 to 5.5V
Voltage on any Pin to GND -0.5 to $V_{DD}+0.5V$

Operating Conditions

Supply Voltage V_{DD} to GND 3.3V to 5V ($\pm 10\%$)
Junction temperature -55°C to +225°C

ESD Rating (expected)

Human Body Model >1kV

DC Electrical Characteristics

Unless otherwise stated: $V_{DD}=5V$, $T_j=25^\circ C$. **Bold** figures indicate values valid over the whole temperature range ($-55^\circ C < T_j < +225^\circ C$).

Parameter	Condition	Min	Typ	Max	Units
Supply voltage V_{DD}			5V		V
Quiescent current I_{DD}	$T_j=-55^\circ C$		0.02		nA
	$T_j=225^\circ C$		1240		
Minimum HIGH level output voltage V_{OH}	$I_{OH}<4mA$ (source)	4.4			V
Maximum LOW level output voltage V_{OL}	$I_{OL}<4mA$ (sink)			0.63	V
Minimum HIGH level input voltage V_{I+}	$T_j=-55^\circ C$		3.30		V
	$T_j=25^\circ C$		3.30		
	$T_j=225^\circ C$		3.19		
Maximum LOW level input voltage V_{I-}	$T_j=-55^\circ C$		2.12		V
	$T_j=25^\circ C$		2.14		
	$T_j=225^\circ C$		2.18		
Hysteresis voltage V_H	$T_j=-55^\circ C$		1.18		V
	$T_j=25^\circ C$		1.16		
	$T_j=225^\circ C$		1.01		

DC Electrical Characteristics (cntd)

Unless otherwise stated: VDD=3.3V, T_J=25°C. **Bold** figures indicate values valid over the whole temperature range (-55°C < T_J < +225°C).

Parameter	Condition	Min	Typ	Max	Units
Supply voltage V _{DD}			3.3		V
Quiescent current I _{DD}	T _J =-55°C		0.015		nA
	T _J =225°C		940		
Minimum HIGH level output voltage V _{OH}	I _{OH} <2mA (source)	2.4			V
Maximum LOW level output voltage V _{OL}	I _{OL} <2mA (sink)			0.44	V
Minimum HIGH level input voltage V _{T+}	T _J =-55°C		2.28		V
	T _J =25°C		2.23		
	T _J =225°C		2.17		
Maximum LOW level input voltage V _{T-}	T _J =-55°C		1.23		V
	T _J =25°C		1.28		
	T _J =225°C		1.43		
Hysteresis voltage V _H	T _J =-55°C		1.05		V
	T _J =25°C		0.95		
	T _J =225°C		0.74		

AC Electrical Characteristics

Unless otherwise stated: VDD=5V, T_j=25°C. **Bold** figures indicate values valid over the whole temperature range (-55°C < T_j < +225°C).

Parameter	Condition	Temperature	Min	Typ	Max	Units
Propagation delay time from A or B to Y ¹ t _{PHL}	C _L =50pF	T _j =-55°C		8.8		ns
		T _j =25°C		10.23		
		T _j =225°C		13.68		
Propagation delay time from A or B to Y t _{PLH}	C _L =50pF	T _j =-55°C		9.69		ns
		T _j =25°C		11.42		
		T _j =225°C		16.1		
Output transition time High to Low t _{THL}	C _L =50pF	T _j =-55°C		8.17		ns
		T _j =25°C		11.47		
		T _j =225°C		16.39		
Output transition time Low to High t _{TLH}	C _L =50pF	T _j =-55°C		9.92		ns
		T _j =25°C		12		
		T _j =225°C		15.4		

¹ Input A is 1% to 2% faster than input B.

AC Electrical Characteristics (cntd)

Unless otherwise stated: $V_{DD}=3.3V$, $T_j=25^\circ C$. **Bold** figures indicate values valid over the whole temperature range ($-55^\circ C < T_j < +225^\circ C$).

Parameter	Condition	Temperature	Min	Typ	Max	Units
Propagation delay time from A or B to Y t_{PHL}	$C_L=50pF$	$T_j=-55^\circ C$		13.81		ns
		$T_j=25^\circ C$		16.25		
		$T_j=225^\circ C$		21.14		
Propagation delay time from A or B to Y t_{PLH}	$C_L=50pF$	$T_j=-55^\circ C$		15.6		ns
		$T_j=25^\circ C$		19.3		
		$T_j=225^\circ C$		25.19		
Output transition time High to Low t_{THL}	$C_L=50pF$	$T_j=-55^\circ C$		14.04		ns
		$T_j=25^\circ C$		18.21		
		$T_j=225^\circ C$		23.46		
Output transition time Low to High t_{TLH}	$C_L=50pF$	$T_j=-55^\circ C$		13.78		ns
		$T_j=25^\circ C$		14.65		
		$T_j=225^\circ C$		21.3		

AC Waveforms

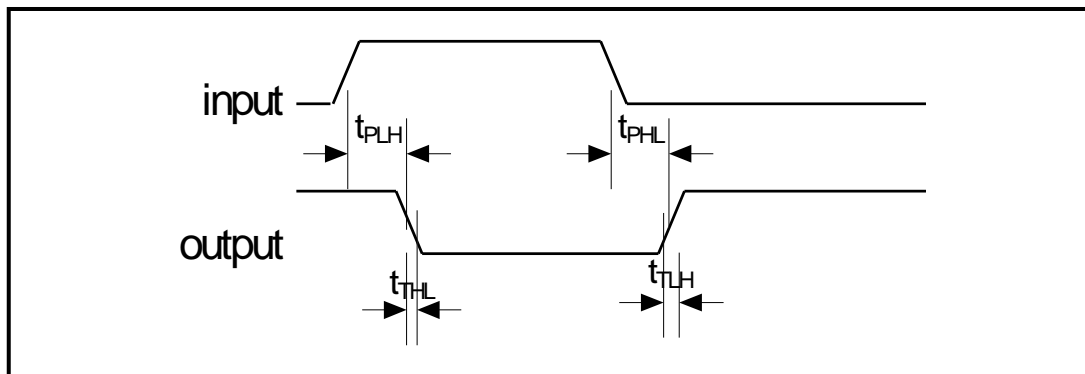
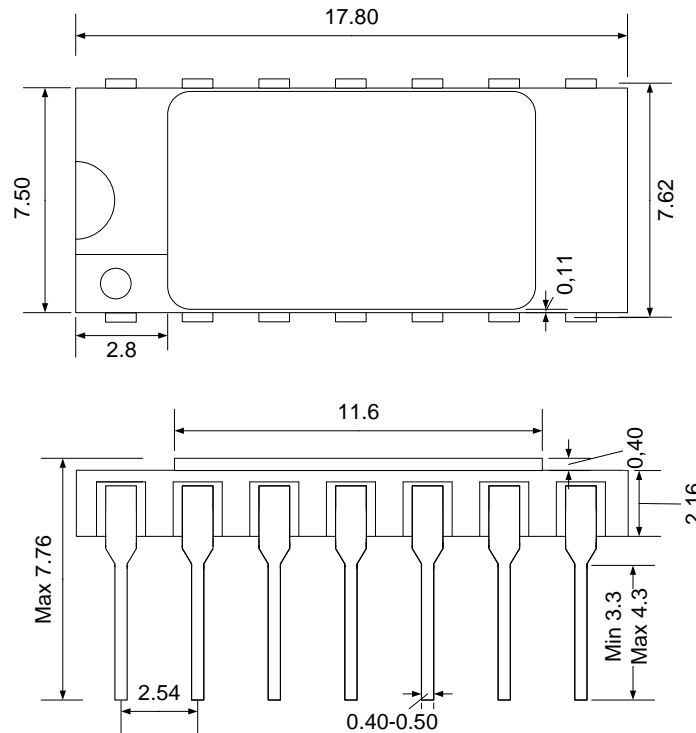


Figure 2. AC Waveforms

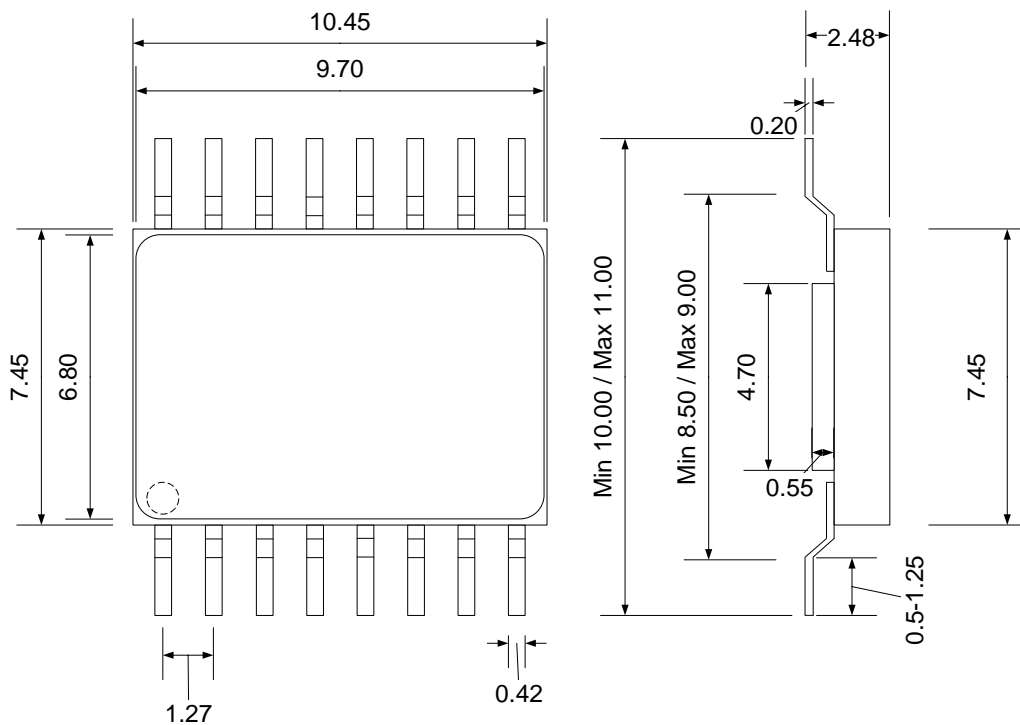
Ordering Information

Ordering Reference	Package	Temperature Range	Marking	Status
CHT-74132-CDIL14-T	Ceramic DIL14	-55°C to +225°C	CHT-74132	Not for new design
CHT-74132-CSOIC16-T	Ceramic SOIC16	-55°C to +225°C	CHT-74132	

Package Dimensions



Drawing CDIL14 (mm +/- 10%)



Drawing CSOIC16 (mm +/- 10%)

Contact & Ordering

CISSOID S.A.

Headquarters and contact EMEA:	CISSOID S.A. – Rue Francqui, 11 – 1435 Mont Saint Guibert - Belgium T : +32 10 48 92 10 - F: +32 10 88 98 75 Email: sales@cissoid.com
Sales Representatives:	Visit our website: http://www.cissoid.com

Disclaimer

Neither CISSOID, nor any of its directors, employees or affiliates make any representations or extend any warranties of any kind, either express or implied, including but not limited to warranties of merchantability, fitness for a particular purpose, and the absence of latent or other defects, whether or not discoverable. In no event shall CISSOID, its directors, employees and affiliates be liable for direct, indirect, special, incidental or consequential damages of any kind arising out of the use of its circuits and their documentation, even if they have been advised of the possibility of such a damage. The circuits are provided "as is". CISSOID has no obligation to provide maintenance, support, updates, or modifications.